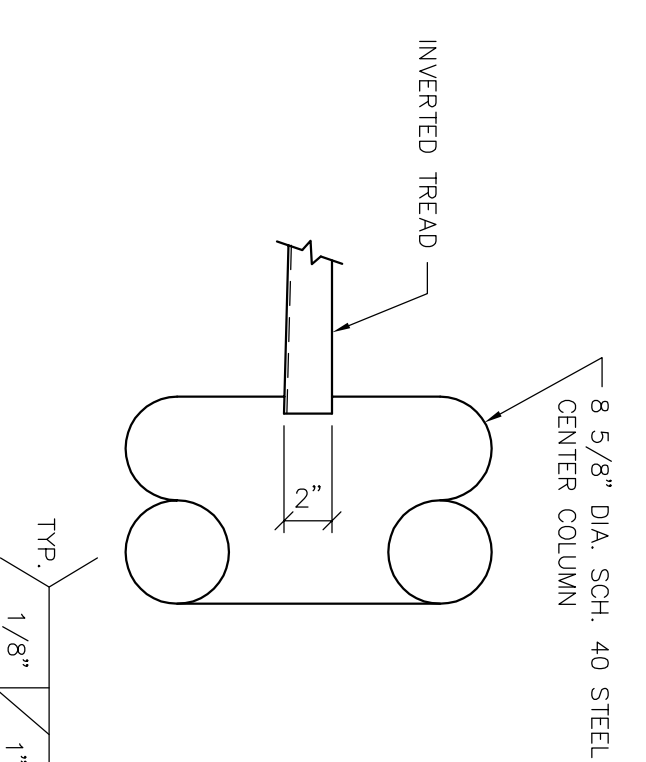
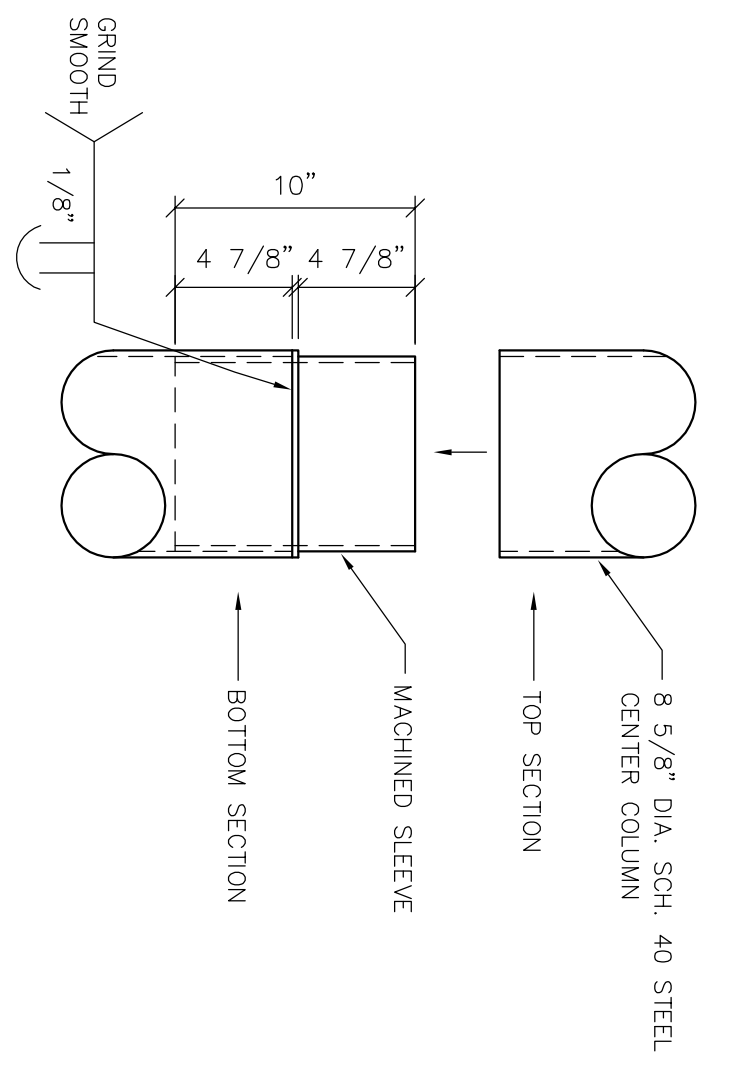


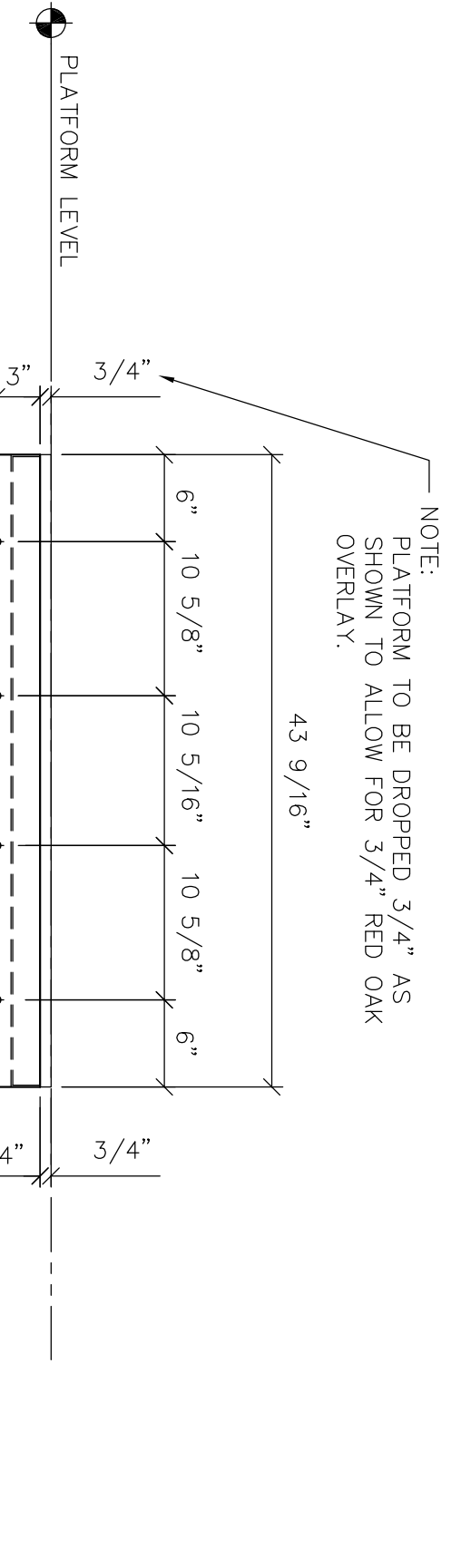
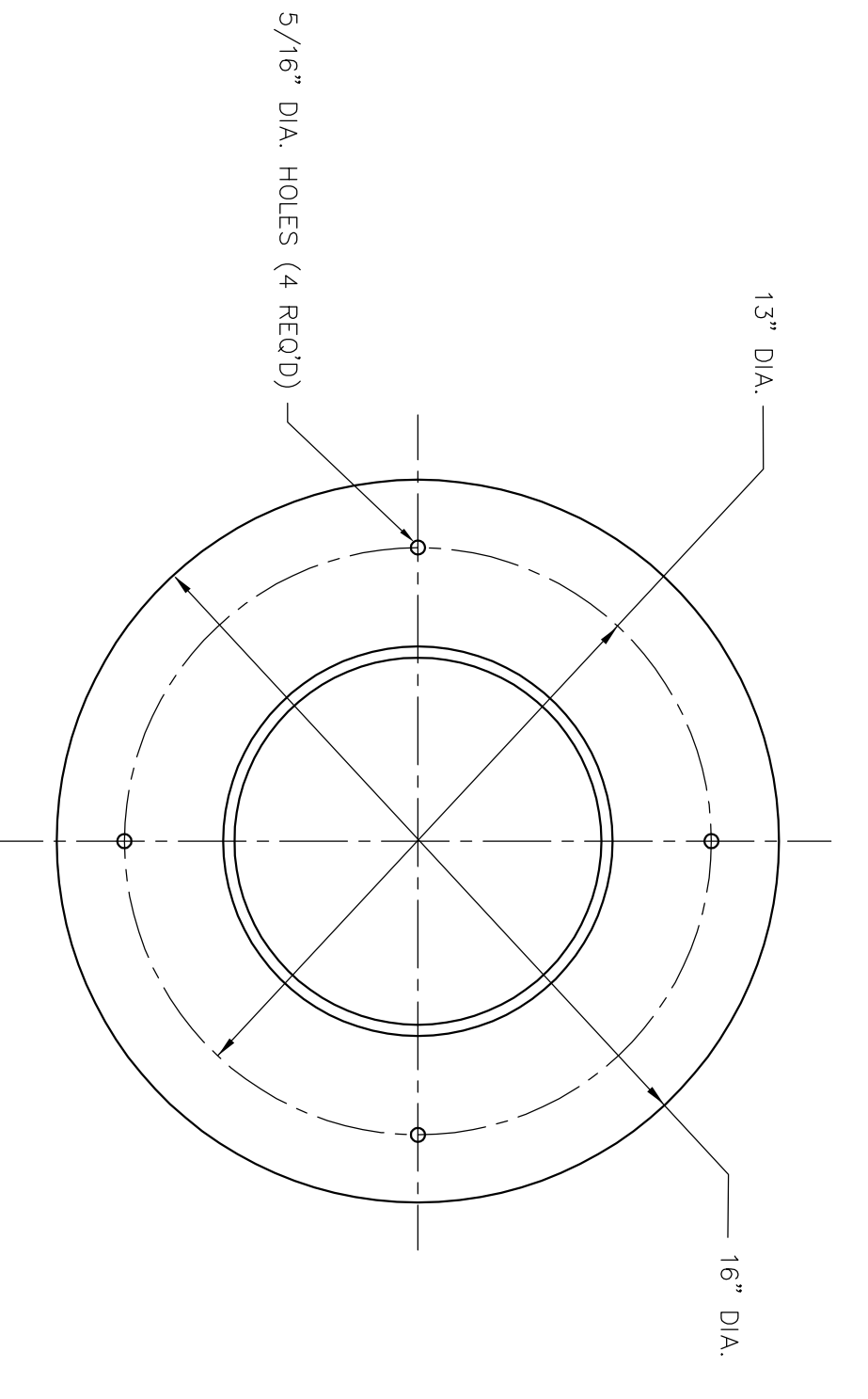
Mounting Plate Detail
3/4" = 1'-0"



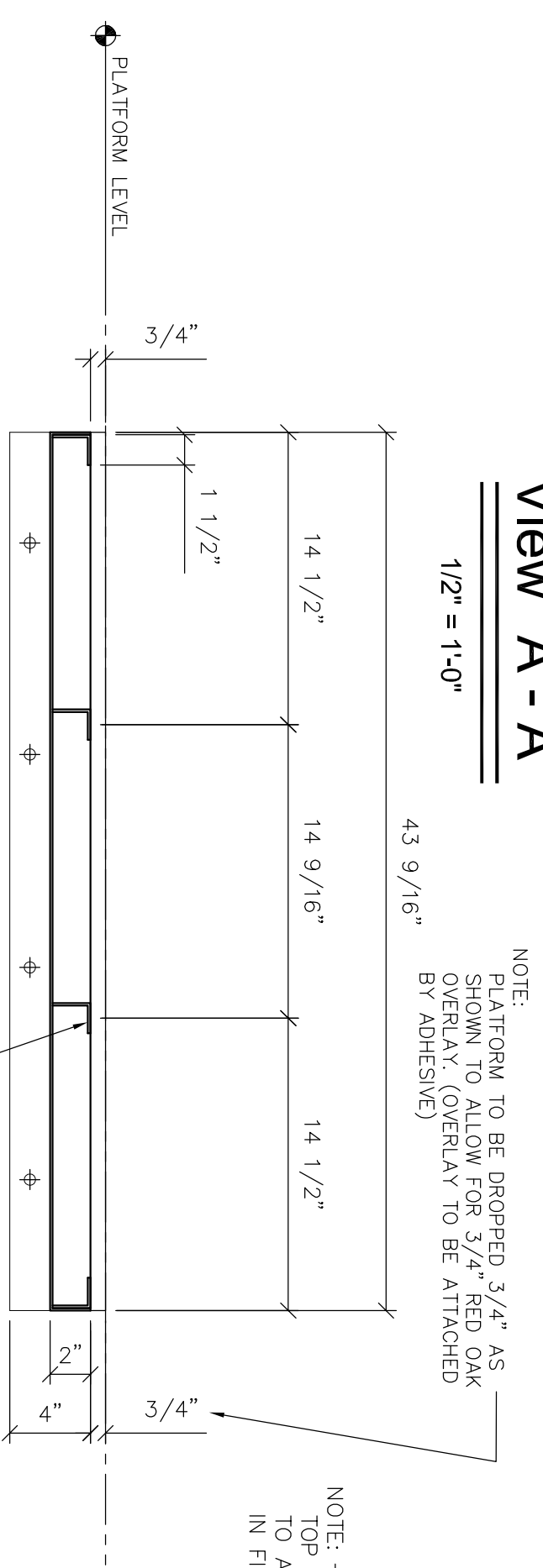
Tread Weld Detail
1 1/2" = 1'-0"



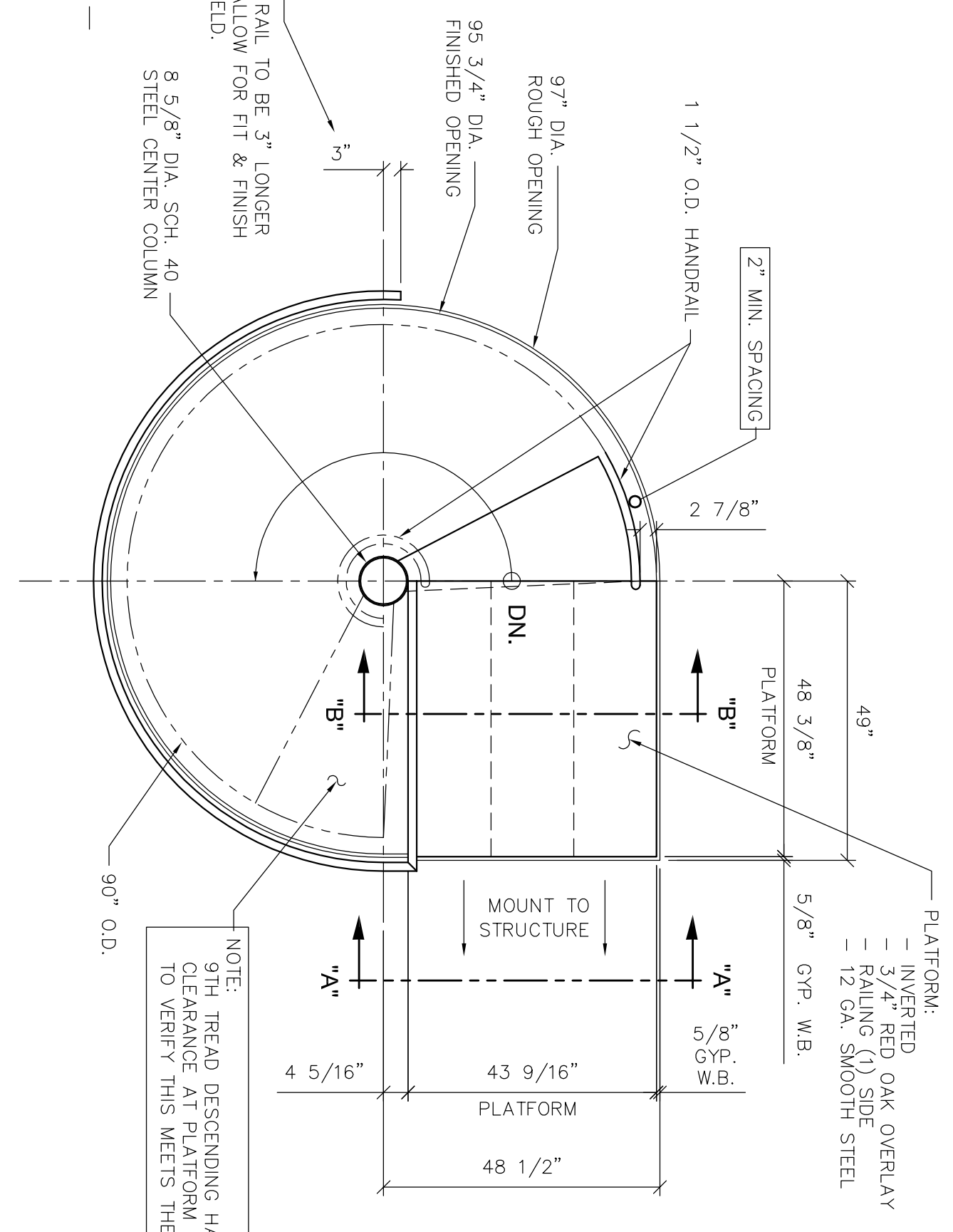
Splice Detail
1 1/2" = 1'-0"



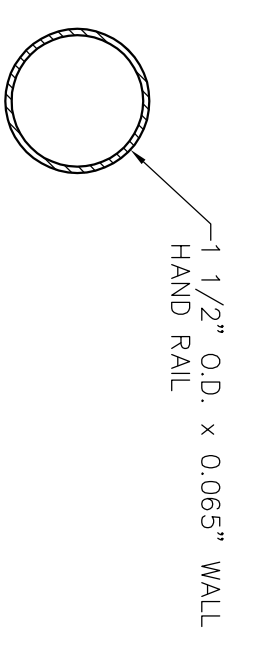
View "A - A"
1/2" = 1'-0"



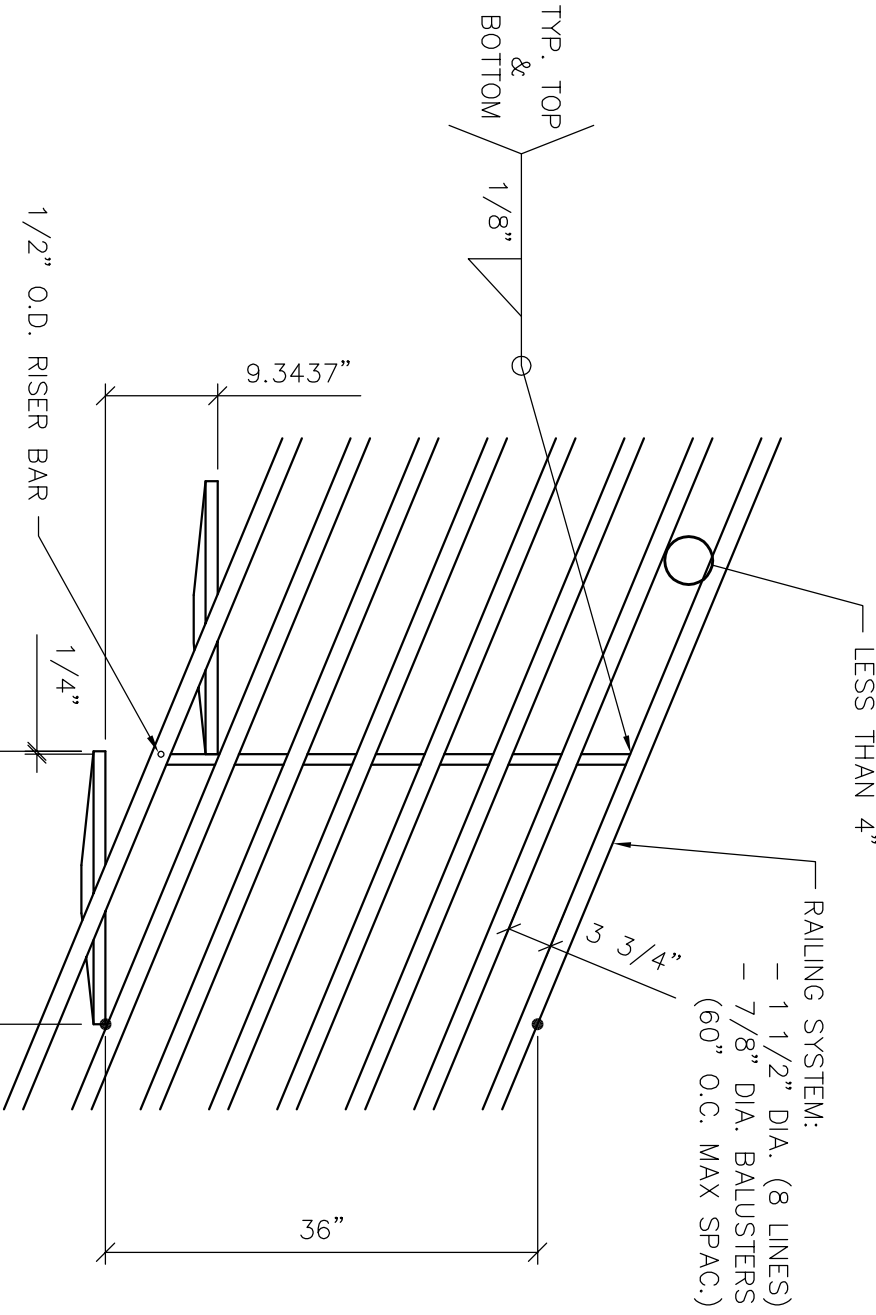
View "B - B"
1 1/2" = 1'-0"



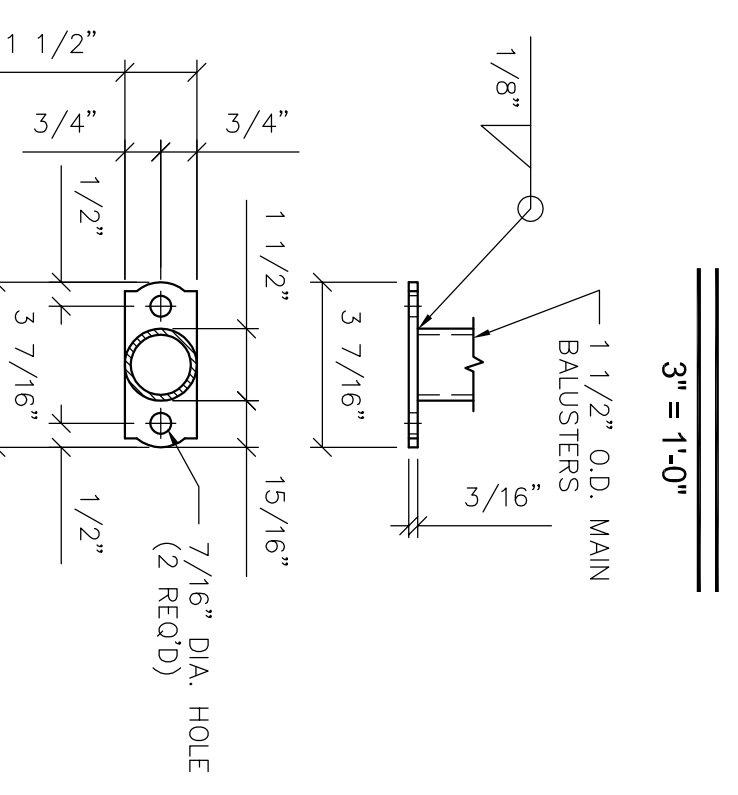
Plan View at Top
1/2" = 1'-0"



Handrail Profile
6" = 1'-0"

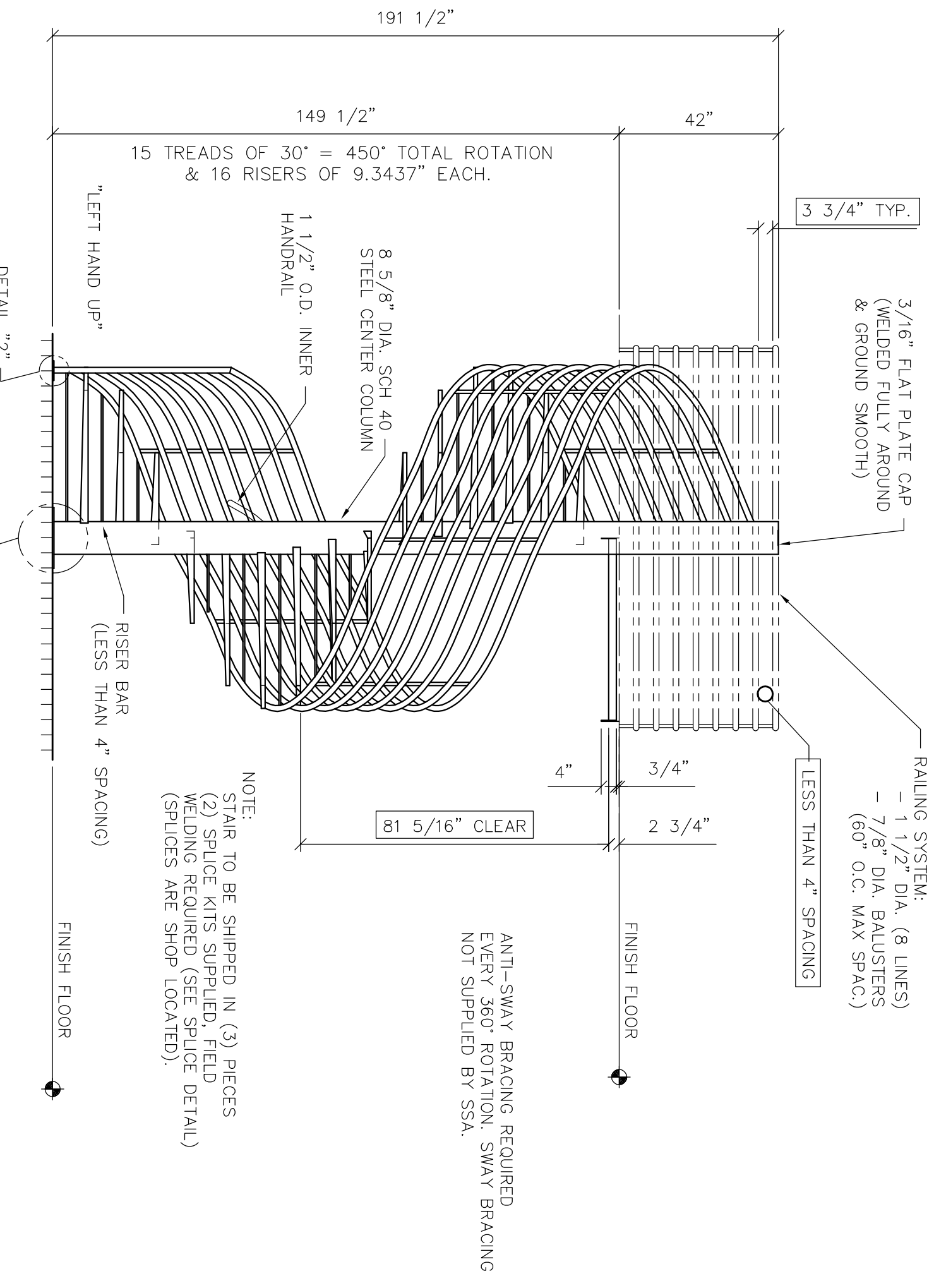


Baluster Detail
3/4" = 1'-0"

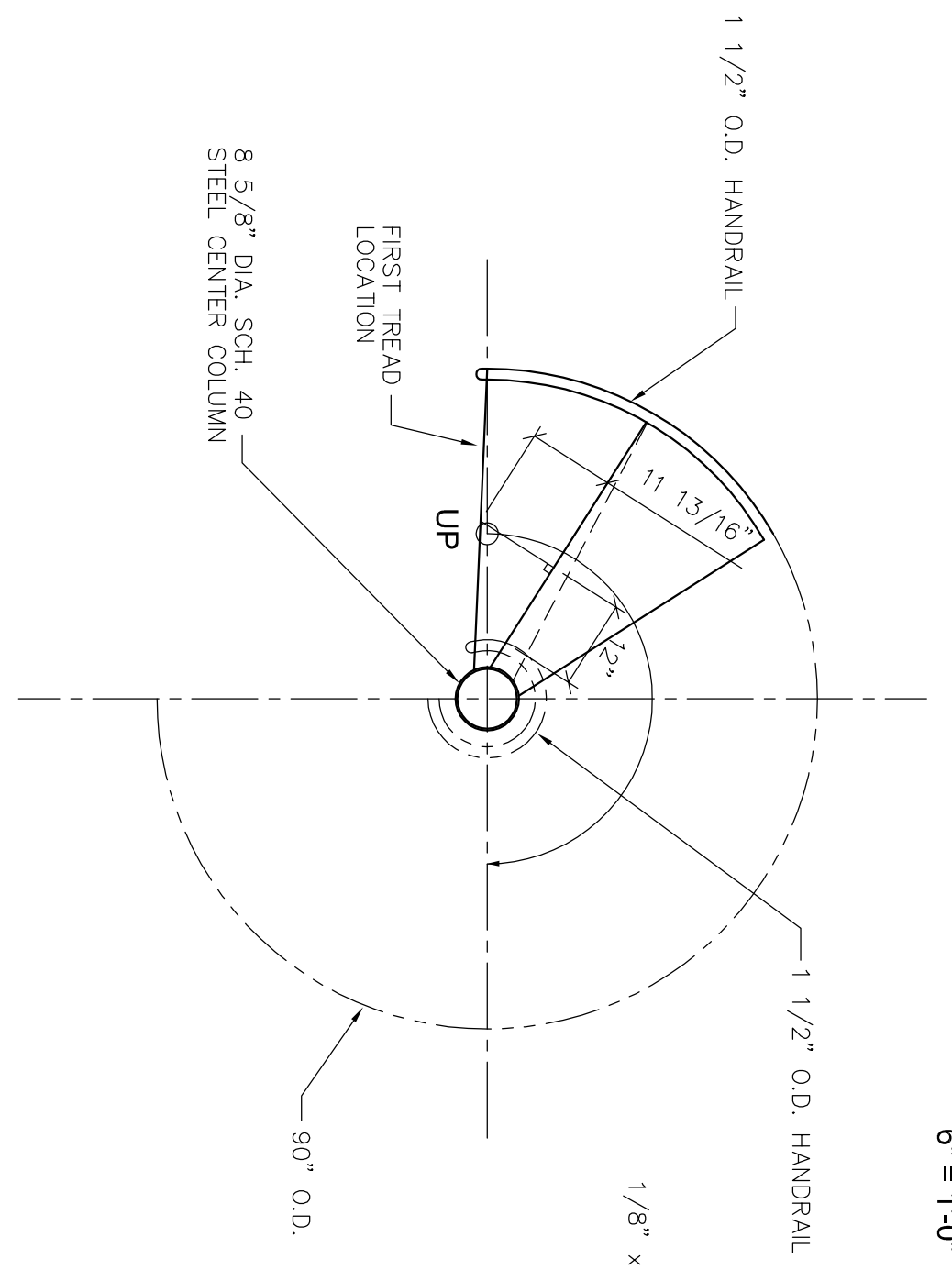


Detail "1"
3" = 1'-0"

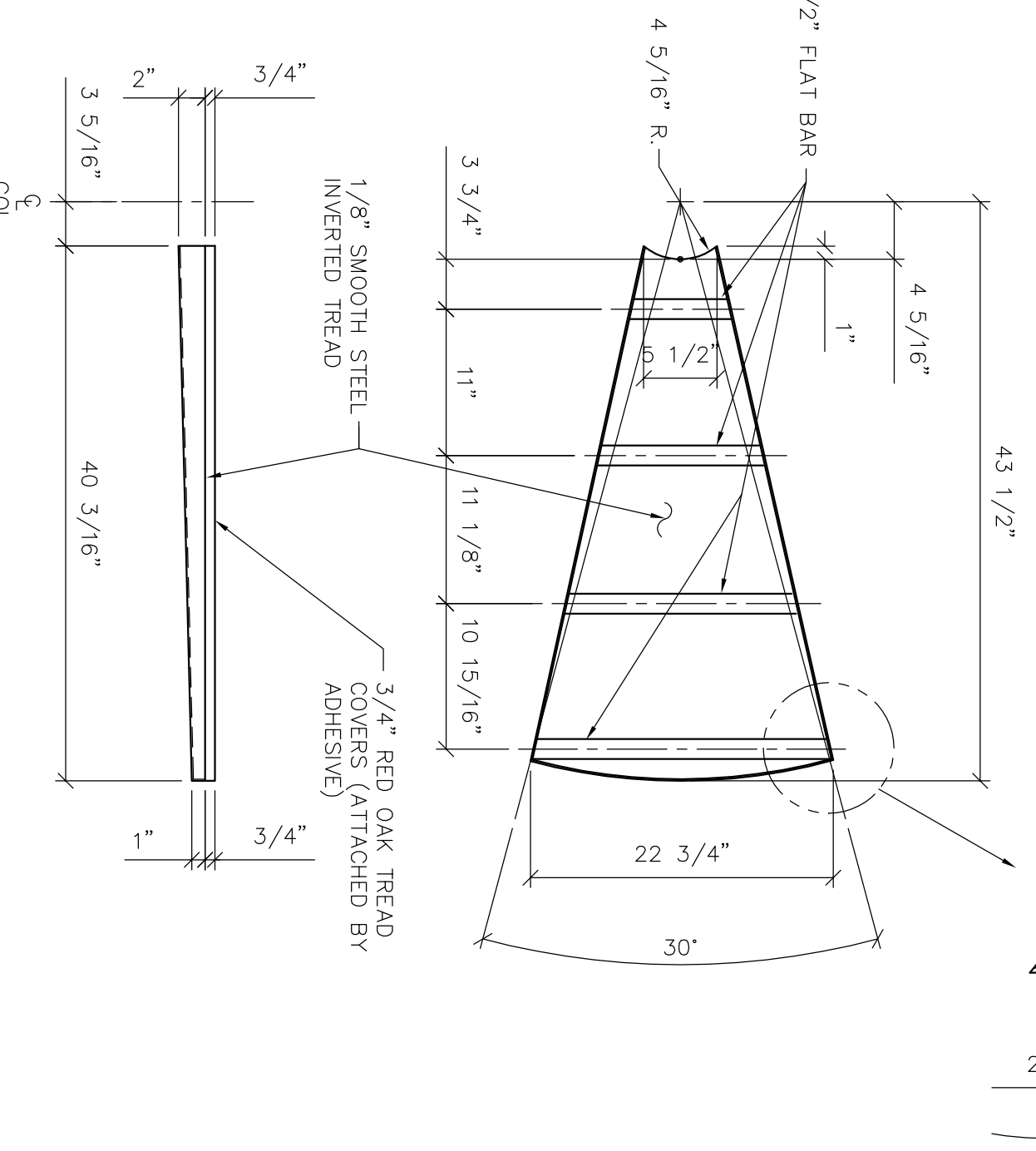
Detail "2"
3" = 1'-0"



Side Elevation
3/8" = 1'-0"



Plan View at Bottom
1/2" = 1'-0"



Tread Detail
1" = 1'-0"

MINIMUM DESIGN CRITERIA:
 - TREADS & PLATFORMS:
 - UNIFORM LOAD OF 100 LBF/SQ. FT. AND OR CONCENTRATED LOAD OF 300 LBF ON AN AREA OF 4 SQ. IN.
 - HANDRAILS & RAILINGS:
 - UNIFORM LOAD OF 50 LBF/FT. APPLIED HORIZONTAL AND CONCURRENTLY WITH UNIFORM LOAD OF 100 LBF/FT. AND EDWARDS TO RAILING.
 - HANDRAILS NOT SERVING TO RAILS:
 - CONCENTRATED LOAD OF 200 LBF APPLIED AT ANY POINT AND IN ANY DIRECTION.
 - UNIFORM LOAD OF 50 LBF/FT. APPLIED IN ANY DIRECTION.
 - MAXIMUM DEFLECTION:
 - L/360 OR 1/4"IN. WHICHEVER IS LESS.

NOTES:
 1. DUE TO THE NUMEROUS USES OF SPIRAL STAIRS, IT IS THE RESPONSIBILITY OF SPIRAL STAIRS OF AMERICA TO BUILD TO BROCHURE SPECIFICATIONS. ADHERENCE TO LOCAL CODES REMAINS THE RESPONSIBILITY OF THE PURCHASER. ALTHOUGH SUGGESTIONS MAY BE MADE, IT IS THE PURCHASER'S RESPONSIBILITY TO MAKE CERTAIN THE STAIR MEETS THEIR APPLICATION.
 2. DUE TO PRODUCTION RUNS, DIMENSIONS MAY VARY SLIGHTLY.
 3. DESIGN LOAD: 5 TIMES MAX. INTENDED LOAD. MAX. INTENDED LOAD: 300 LBS.
 4. STAIR SYSTEM TO HAVE (1) COAT BALCONY SHOP PRIMER.
 5. UNLESS OTHERWISE NOTED, FINISHED ACCORDING TO NOMMA CLASS 4.
 6. THIS STAIR SYSTEM IS DESIGNED AND BUILT TO S.S.A.'S INTERPRETATION OF IBC CODE. IT IS THE CUSTOMER'S RESPONSIBILITY TO HAVE LOCAL CODE INSPECTORS APPROVAL OF THIS STAIR SYSTEM PRIOR TO FABRICATION.
 7. DIMENSIONS WITH A [BOX] AROUND THEM DENOTES DIMENSIONS THAT IF CHANGED CAN & WILL CAUSE CODE VIOLATIONS OR CLEARANCE ISSUES.

APPROVED AS IS FOR CONSTRUCTION.
 APPROVED AS NOTED FOR CONSTRUCTION
 REFLECTED, PLEASE RESUBMIT

SIGNED: _____
 DATE: _____

| REV. | DESCRIPTION | DRAWN | CHECK | APPR. | DATE |
|------|-------------|-------|-------|-------|------|
| | | | | | |

TITLE: **7'46" (90") Dia. Spiral Staircase (Left Hand Up) w/ 8 5/8" O.D. Sch 40 Center Column x 12'5 1/2" (149 1/2") High**

CUSTOMER: **8 Line Deco Spiral Stair**

| | | |
|----------|-----|----------|
| DRAWN | DEC | 12/10/07 |
| CHECKED | | |
| SCALE | | NOTED |
| DWG. NO. | | 8line |

SPIRAL STAIRS OF AMERICA
 ERIE, PENNSYLVANIA
 (814) 898-3700 FAX: (814) 899-9139